



Translated from original

Operating Instructions for

Hydro Press

Item No.: 22620, 22600, 22690, 22618 + 22620-01 und 22600-01



Version October 2017





1	GENERAL INFORMATION	3
2	SAFETY INSTRUCTIONS	3
3	OVERVIEW OF PARTS/SCOPE OF DELIVERY	4
4	TECHNICAL DATA	5
5	PRIOR TO FIRST USE	5
6	ASSEMBLY	5
7	OPERATING THE DEVICE	6
8	CLEANING, MAINTENANCE, STORAGE	7
9	WARRANTIES.....	8

1 General information

Dear Customer,

You have purchased a new product from SPEIDEL.

Thank you very much for your trust. When it comes to our products, quality and functionality are of our utmost concern.

Intended use:

The Hydro Press is designed and manufactured for pressing (juice extraction) of pitted and ground or crushed fruit, such as grapes, apples, or pears. The press is only suitable for pressing with water pressure (**do not use air pressure**).

Operating instructions:



In order to ensure your new Hydro Press will work reliably and safely from the first time you use it and throughout its entire operating life, we have written these operating instructions. Please read them carefully before using the product for the first time. If you follow these tips and instructions carefully, the press will work to your utmost satisfaction and will last you for a long time to come. Should you decide to pass this product on to a third party, please ensure to hand over the operating manual as well.



Declaration of Conformity

SPEIDEL Tank- und Behälterbau GmbH hereby declares that the “Hydro Press” product mentioned in these instructions, and to which this declaration applies, complies with the requirements of the European guidelines.

Manufacturer:

Speidel Tank- und Behälterbau GmbH

Krummenstrasse 2

D-72131 Ofterdingen

Germany

www.speidels-hausmosterei.de

www.speidel-behaelter.de

2 Safety instructions

General safety instructions:



- The Hydro Press may only be operated with water pressure, never use air pressure - **Risk of explosion!**
- Important: In order to prevent an air buffer inside the diaphragm, press down the vent plunger until the air has fully escaped and water leaks out of the unit.
- The rubber diaphragm must be protected from sharp objects and exposure to the sun (may cause brittleness).
- Please provide a secure installation, placing the product on a flat and stable surface.
- When using the Hydro Press 180L, a sudden pivoting motion should be avoided. Ensure that the locking pin engages into place after pivoting and while the unit is in a tilted position. A clicking noise should be audible.

- The press shall only be used as stated in the description of its intended purpose, and while technically safe and in flawless condition. Please verify the safe condition of the unit prior to any use.

Children, pets and frail users:

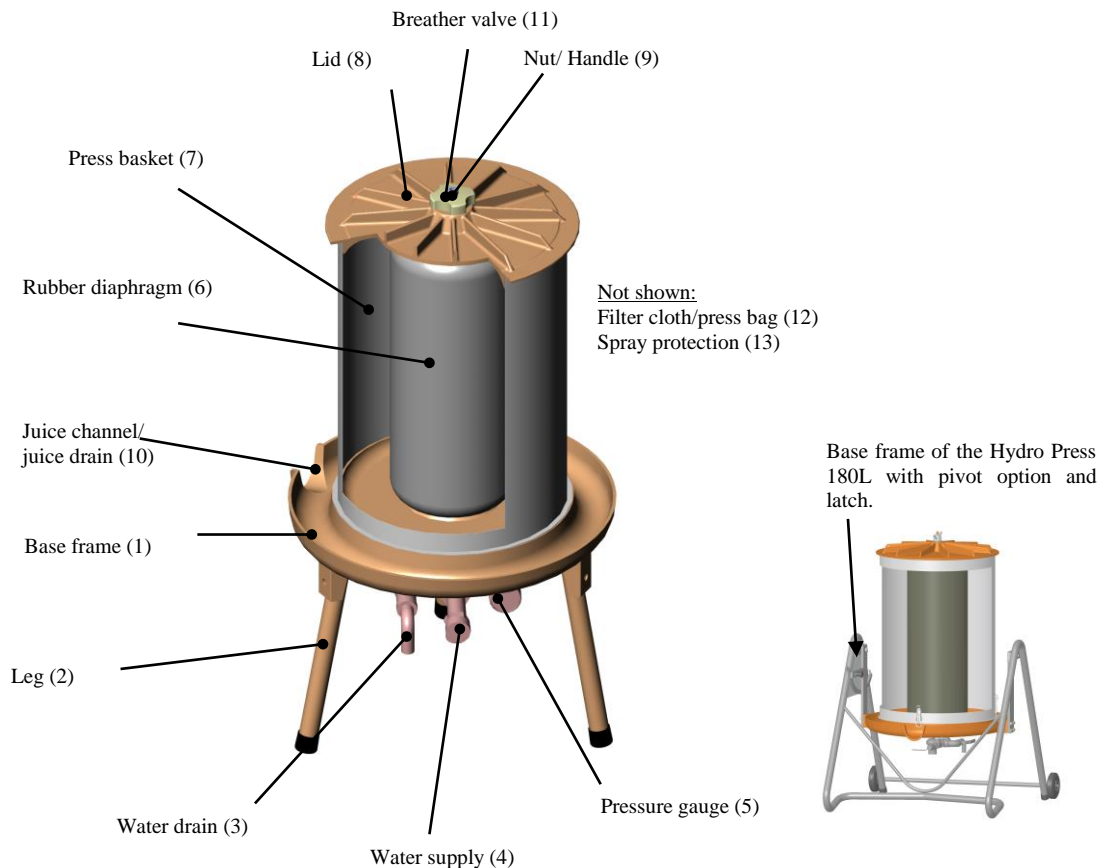


- For the safety of your children, please remove or keep all packaging material (cardboard, Styrofoam, etc.) out of children's reach. **Asphyxiation risk!**
- The equipment is not intended for use by persons (including children) with limited physical, sensory, or mental capabilities and shall not be operated by persons lacking experience and/or knowledge about the equipment, unless such person is supervised by another person who is familiar with relevant safety regulations. If children and pets are present, they must be under constant supervision in order to ensure they remain out of harms way. Remember, the Hydro Press is not a toy!

Pressure relief valve:

- The pressure relief valve is set to the max. of **3 bar water pressure**. Should the operating pressure exceed this maximum setting, the valve will be activated and the water will drain. Check the valve before each use for a correct function (become not stuck after prolonged disuse).

3 Overview of parts/scope of delivery



4 Technical data

Size/basket volume	Litres	20/ 20 VA	40/ 40 VA	90	180
Height (H):	mm	820	900	1070	1316
Width (W)	mm	Ø 410/ 430	Ø 480/ 530	Ø 590	945
Height above ground (h)	mm	300	300	300	350
Weight	kg	13/ 14	18/ 20	28	72
Supply line/connection	GEKA Quick release coupling R ¾"				
Discharge ball valve	Outside threat R ¾" with hose fitting				
Max. water pressure	3 bar				

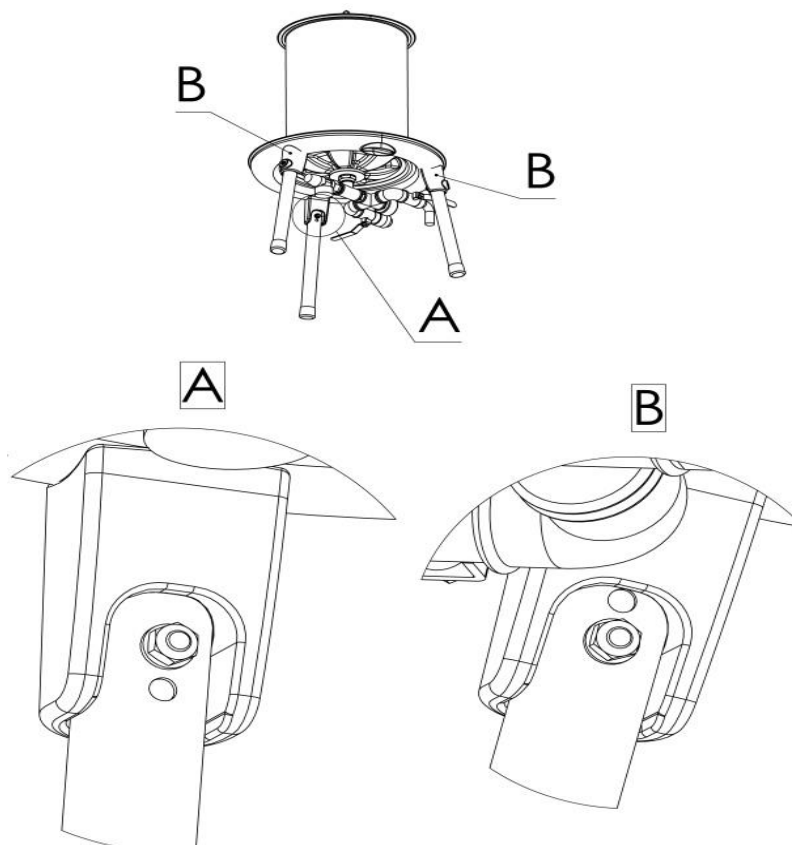
5 Prior to first use

Before using the equipment for the first time, all components should be cleaned and rinsed thoroughly with water. Never use aggressive or abrasive cleaning agents. The press cloth shall also be cleaned thoroughly with water.

6 Assembly

After removing the device from its packaging, please use the included screws to attach the legs (2) to the base frame (1). However, this step has been omitted for Hydro Press 180L. Please provide a secure installation for all equipment, placing the product on a stable and weight-bearing surface. Most important is the water drainage and, if possible, the water connection should not be located too far from the press.

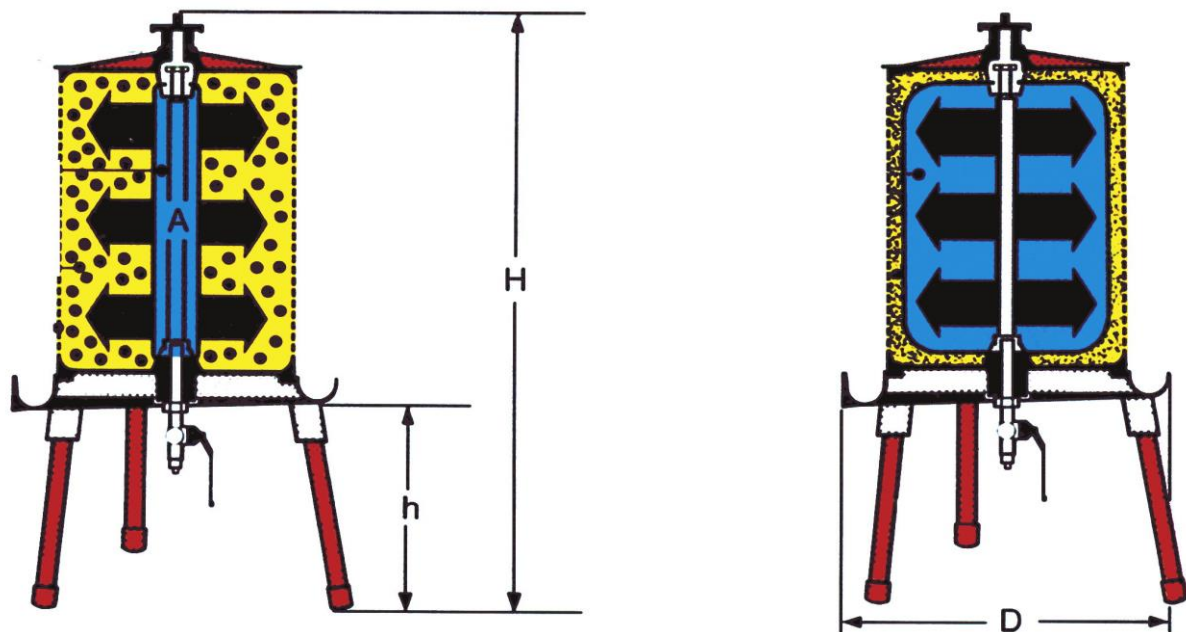
The assembling of the legs on the Hydropress VA (stainless) according this scetch:



7 Operating the device

Place the stainless steel press basket (7) centered onto the base frame. Subsequently, insert the filter cloth/press bag (not shown) into the press basket; at the bottom of the basket, fold the bag outside in. At the top, the bag is folded to the outside; this makes filling of the fruit pulp easier. Place a container underneath the drain. The press can now be filled with the fruit pulp. It is not necessary to fill the bag completely; pressing is much easier to complete with less fruit pulp. Fold down the bag over the fruit pulp, and place the lid (8) on top. Place the washer over the spindle and install clamping nut (9). On the Hydro Press VA (stainless) turn the nut with the handle until it is fixed slightly and then press down handle to press down the lid (see also sketch in the next chapter). The spray protection cap (not shown) must be pulled over the press basket and connect the Hydro Press to the main power supply, using the GEKA quick disconnect (4). Subsequently, open the water supply line.

The incoming water (max. 3 bar) applies pressure to the slurry. Press the top of the breather valve (11) until the air has been completely removed from the diaphragm. The juice flows through the press basket (7) into the chute of the SPEIDEL Hydro Press (10) - see diagram below. Once the water pressure has reached 3 bar, the relief valve opens automatically and the water discharges below. The water pressure can be read off the pressure gauge (5) and regulated by using the water tap. To do this, the tap is closed when the normal pressure is exceeded. Once the pressure has dropped, the tap can be slightly opened again. The pressure gauge is a simple way of how to monitor the working condition of your Hydro Press. A regulating valve (pressure reducing valve) is advantageous and is most probably already installed in the line and preset to 3 bar.



Now, the water tap can be closed again. Please wait until the juice has completely drained. Open the water drain (3) in order to drain the rubber diaphragm (6). Press the breather valve again in order to fill the diaphragm with air. The draining water may be collected in a container and recycled later for cleaning the fruit or watering the garden. Once the water has stopped draining, the Hydro Press is depressurized and the clamping nut (9) can be loosened. Remove the washer and the lid (8). After all juices have been extracted, the spray protection cap must be removed, the bag pulled out, and the pomace removed (Hydro Press 20, 40, 90L). In case of the Hydro Press 180L, after the work is

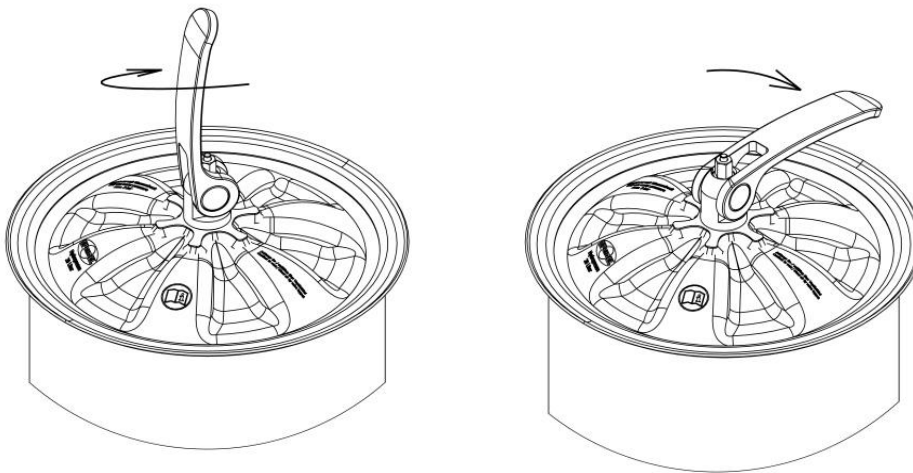
completed, the press is pivoted by grabbing the handle. To refill the Hydro Press 180L, simply pivoted it back (Hydro Press 180L, not shown)

Tips:

Even more juice can be yielded if during the starting phase a little more time will be allowed for the juice to drain. This will cause the flow path inside of the slurry to remain open. It can be easily regulated by opening and closing the water tap.

Grind your fruit with the perfect mill, gaining a perfect fruit pulp (fine and not too coarse) - Please also refer to our pome fruit mill item No.: 22200. A slurry that is too fine may generate problems with the press and makes the drainage of the juice very difficult. At the same time, a coarse grind may prevent an optimum juice yield. Grapes must be removed from their stems and well crushed.

This sketch shows how to work with the handle-nut on the Hydropress VA (stainless):



8 Cleaning, maintenance, storage

Please clean the press as soon as possible after each use in order to prevent the sweet juices or fruit residue to dry inside the press. Simply use water and a brush/sponge or cloth to clean the press. Never use a wire brush or other abrasive cleaning equipment. The press cloth can also be cleaned thoroughly with water. The cloth may be laundered in the washing machine, using laundry detergent and a low water temperature (max. 30°C). On the Hydropress VA (stainless) avoid contact to materials with iron or even rusty metals also like rusty water (danger of rust)



In order to ensure a long service life of the diaphragm, the press should be stored, if possible, in a dark room sheltered from the environment and protected from sunlight. Continuous exposure to sunlight (UV/ozone) causes synthetic rubber products to age faster and become brittle.



9 Warranties

Conditions:

- All legal warranty conditions apply. The warranty period for the use by non-commercial consumers is reduced to the regulations applicable to commercial customers, if such non-commercial consumer uses the product - even if only in part - for commercial purposes.
- Any warranty claim presented to us or one of our dealerships must be accompanied by a copy of the purchase order. In order to verify our warranty, please refer to the terms and conditions mentioned below.
- To ensure prompt processing of all warranty claims, discrepancies must be brought to our attention immediately after detection and submitted in writing, including a description of the defect and, if possible, photographs should be attached to the claim.
- Warranties do not apply to defects caused by noncompliance with the operating manual, improper handling, or normal wear and tear of the product. Warranty claims are also excluded for fragile parts or consumables, such as seals, gaskets, etc. Furthermore, warranty claims are excluded if repairs are performed by personnel other than authorized representatives or dealerships.

Processing:

In the unlikely event that your product requires repair during the warranty period, please contact us, submitting the respective warranty claim. The fastest and easiest option is returning the unit, or presenting a notice of defect to your authorized dealer/representative, or by contacting us directly:

E-mail: verkauf@speidel-behaelter.de
or fax to: 0049 - (0)7473 -9462-99

Please indicate your **complete address** and **contact information**. Furthermore, we require the **type designation** of the equipment under claim, a short **description of the malfunction** (if possible, please include **photographs**), **the date of purchase (copy of the invoice)** and the name of the **dealership** from whom you have purchased the new product.

Once we have verified your notice of defect, we will contact you as soon as possible and explain further procedures. Please do not ship the unit as "carriage forward", "freight collect" or by similar shipping methods.









de	Sie vermissen eine Betriebsanleitung in einer verständlichen Sprache. Dann kontaktieren Sie bitte Ihren zuständigen Händler oder Importeur.
en	You miss an instruction manual in an accessible language. Then please contact your local dealer or distributor.
fr	Vous manquez un manuel d'instructions dans un langage accessible. Alors s'il vous plaît contacter votre revendeur ou distributeur local.
es	¿Echa de menos un manual de instrucciones en un lenguaje accesible. Entonces, por favor contacte a su vendedor o distribuidor local.
pt	Você perde um manual de instruções em linguagem acessível. Então, por favor contacte o seu revendedor ou distribuidor local.
pl	Tręsknisz instrukcja w przystępnym językiem. Następnie skontaktuj się z lokalnym sprzedawcą lub dystrybutorem.
no	Du savner en bruksanvisning på et lett tilgjengelig språk. Deretter kan du kontakte din lokale forhandler eller distributør.
fi	Menetät ohjekirjanen ymmärrettävällä kielellä. Sitten ota yhteyttä paikalliseen jälleenmyyjään tai maahantuojaan.
sv	Du missar en bruksanvisning på ett lättillgängligt språk. Vänligen kontakta din lokala återförsäljare eller distributör.
da	Du går glip af en brugsvejledning på et tilgængeligt sprog. Så kontakt din lokale forhandler eller distributør.
it	Ti manca un manuale di istruzioni in un linguaggio accessibile. Quindi contattare il rivenditore o distributore locale.
el	Χάνετε από εγχειρίδιο χρήσης σε προσιτή γλώσσα. Στη συνέχεια, επικοινωνήστε με τον τοπικό αντιπρόσωπο ή διανομέα.
hu	Hiányzik egy használati utasítás hozzáférhető nyelven. Ezután vegye fel a kapcsolatot a helyi forgalmazóval vagy a forgalmazó.
nl	Je mist een handleiding in een toegankelijke taal. Neem dan contact op met uw lokale dealer of distributeur.
ro	E dor de tine un manual de instrucțiuni într-un limbaj accesibil. Apoi, vă rugăm să contactați distribuitorul local sau distribuitor.
ru	Вы не пропустите инструкцию на доступном языке. Тогда, пожалуйста, свяжитесь с вашим местным дилером или дистрибьютором.
sk	Vám chýba návod na použitie v zrozumiteľným jazykom. Potom sa obráťte sa na miestneho predajcu alebo distribútora.
sl	Pogrešaš navodila v razumljivem jeziku. Potem se obrnite na lokalnega prodajalca ali distributerja.
bg	Можете да пропуснете инструкциите за употреба на достъпен език. Тогава, моля свържете се с местния дилър или дистрибутор.
sr	Мисс Иоу упутства на приступачан језику. Затим контактирајте локалног дистрибутера или дистрибутера.
hr	Vi propustiti pouku priručnik na pristupačan jeziku. Zatim obratite se svojem lokalnom zastupniku ili distributeru.
cs	Vám chybí návod k použití v srozumitelným jazykem. Pak se obraťte se na místního prodejce nebo distributora.
tr	Eğer erişilebilir bir dilde bir kullanım kılavuzu özledim. Daha sonra yerel satıcımıza veya distribütör başvurun.
zh	你错过易懂的语言中的一个指导手册。那么请联系您当地的经销商或分销商。
ja	あなたがアクセス可能な言語での取扱説明書を欠場。その後、お近くの販売店または特約店までご連絡ください。
ko	당신은 접근 언어로 사용 설명서를보고 싶어요. 그런 다음 해당 지역의 대리점 또는 대리점에 문의하시기 바랍니다.
th	คุณพลาดคู่มือการเรียนการสอนในภาษาที่สามารถเข้าถึง จากนั้นกรุณาติดต่อตัวแทนจำหน่ายหรือตัวแทนจำหน่ายใกล้บ้านของคุณ
vi	Bạn bỏ lỡ một sách hướng dẫn bằng ngôn ngữ dễ tiếp cận. Sau đó xin vui lòng liên hệ đại lý địa phương của bạn hoặc nhà phân phối.